

Mobile Crushing & Screening Plant





Mobile crushing plant, a new designed rock crushing & screening plant, which is flexible, convenient and strong in mobility, so it can save a large construction capital and relocation. Raw Materials can be broken at the local place without being transported again, and also can be moved with the further exploitation of the raw material, which saves a large number of transportation cost. Break-day corporation specializes in producing crusher, screen, transportation, other rock breaking, mineral processing equipment. On the basis of professional technology, we optimize and introduce two large and three small series of crushing and screening equipment. The mobile series is tracked crushing plant, and the portable series is tyred crushing plant. Each large series is divided into three series: rough, medium and fine crushing and screening mobile plant. Therefore, it can fully adapt to the various mobile crushing and screening spots, and creates more new business opportunities for customers while reducing cost of production.

Integral set of equipment

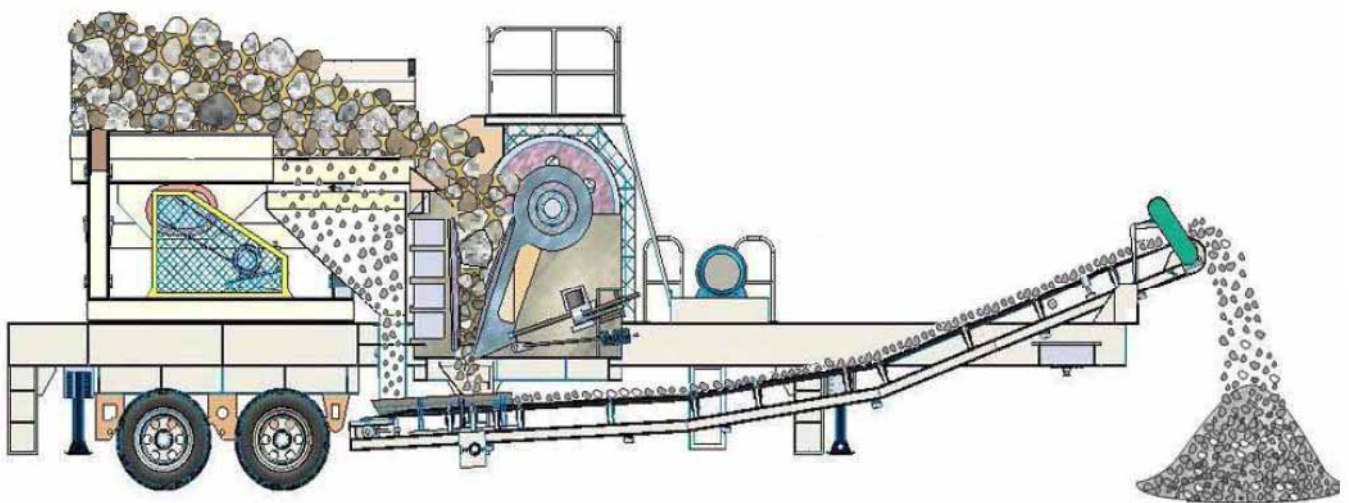
Installation form of integral set of equipment eliminate installation operation of segregate sets on complicated spot. Waste of material and labour hour are reduced as well. Flexibility of residence is increased through reasonable and compact space arrangement.

Flexible maneuverability

The vehicle chassis of YG938E69 mobile coarse crushing station is very high, and width of vehicle body is smaller than semi-trailer, so the turning radius is very small. It is very convenient for the vehicle to travel on common road, and more convenient for it to travel on rough and terrible road in the crushing area. Quicker travelling to the spot is finished. It is more convenient for the vehicle to enter reasonable processing area, more flexible space and reasonable layout are provided for the integral crushing flow.

Direct and effective crushing process

Integral series of crushing station can be used separately, or more flexible technical plan can be provided to satisfy customers' various mobile requirements according to their material type and product request. So process and transportation of final material can be directly effective and cost can be reduced at most.





Features

- PE series high function crusher;
- Vibrating feeder and vibrating screen are integral to crusher;
- Belt conveyor below screen, vibrating screen and crusher are installed together on the vehicle;
- Steering axis of traction makes road transportation and spot depth convenient;
- Installation supporting on vehicle makes equipment residence convenient and fast;
- Electric motor and control panel are together on vehicle;



Coarse crushing & screening plant model

- YG938E69
- YG1142E710
- YG1349E912



Medium crushing & screening plant model (Impact crusher as secondary crusher)

- Y3S1548F1010
- Y3S1848F1210
- Y3S1860F1214
- Y3S2160F1315



Medium crushing & screening plant model (Cone crusher as secondary crusher)

- Y3S1548Y55
- Y3S1848Y90
- Y3S1860Y160
- Y3S2160Y220

Note:

1. All the above models are basic type mobile crushing stations.
2. Belt length of basic type mobile crushing station extends very short, any lengthening should be illustrated. Stone with mud screened by vibrating feeder can drop on the above belt, or can be moved by belts on both sides.
3. Discharged material from vibrating screen in basic middle mobile crushing station should be moved by added mobile belts on both sides.
4. Special design and mobile crushing station can be made according to customers' request.

Screening & Washing

Sand Washing Machine
Circular Vibrating Screen

Feeding & Conveying

Belt Conveyor
Vibrating Feeder

Crushing

Jaw Crusher
Impact Crusher
Hammer Crusher
Spring Cone Crusher
Hydraulic Cone Crusher
VSI Sand Making Machine
PCL Sand Making Machine
European Type Jaw Crusher
PYS Symons Cone Crusher
Mobile Crushing & Screening Plant

Grinding Plant

Ball Mill
Raymond Mill
High Pressure Suspension Mill
MSB series Coarse Powder Mill
Super Pressure Trapezium Grinding Mill
HGM Three-Rings & Medium-Speed MicroPowder Mill

New Production Technics

Grinding Production Line
Sand Making & Washing Plants
Stone Crushing & Screening Plants
Manufactured Sand Processing Chart
Construction Waste Crushing Technics
Basalt Aggregate for Express Highway Processing Technics

Pious / Elaborate / Rigorous / Harmonious

- *20 Years Experience*
- *High reputation*
- *High quality products*
- *Competitive price*
- *Professional Liming Teams*
- *King-like customer service*

Contact us

Tel : 0086-371-67992899

0086-371-67371699

Fax: 0086-371-67992699

Email: break-day@break-day.com

MSG online: summer_8001@yahoo.com

MSN online: Miningmachine@hotmail.com

Website: <http://www.break-day.com>

zip code: 450001

Address: No. 15, Dingxiangli Road, National HI-TECH Industry Development Zone, Zhengzhou, China.



Henan Liming Road & Bridge Heavy Industry Co., Ltd